



*Bagenalstown,  
Co. Carlow,  
Ireland.*

Telephone (0503) 21336  
From overseas (353-503) 21336  
Fax: (0503) 21737  
From overseas (353-503) 21737

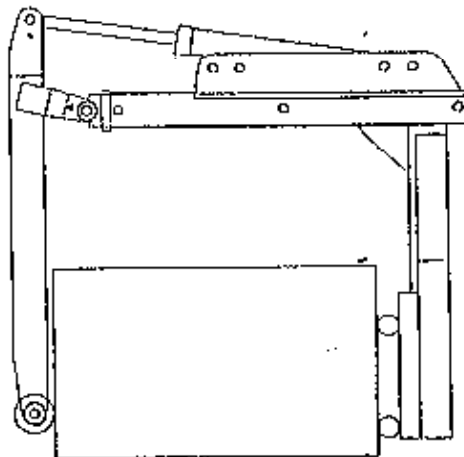
**TANCO SQUARE BALE STACKER  
PARTS LIST**

**WD71-M0698**

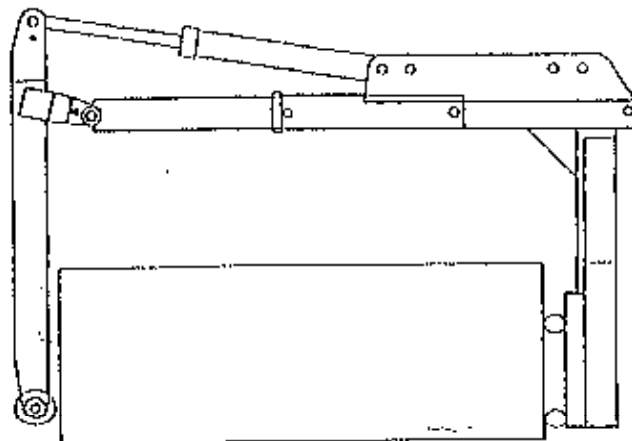
# TANCO SQUARE BALE STACKER

## OPERATING INSTRUCTIONS

1. The Square Bale Stacker has an adjustable jib. This should be set to the bale size that has to be handled (See Fig 1.)
2. Lower stacker over bale.
3. Close gripper as far as possible.
4. Raise bale approximately 150mm above the ground level.
5. Close gripper further, as more squeeze may be achieved when the bale is off the ground.
6. It is advised for transporting a bale that the stacker be fully crowded back.



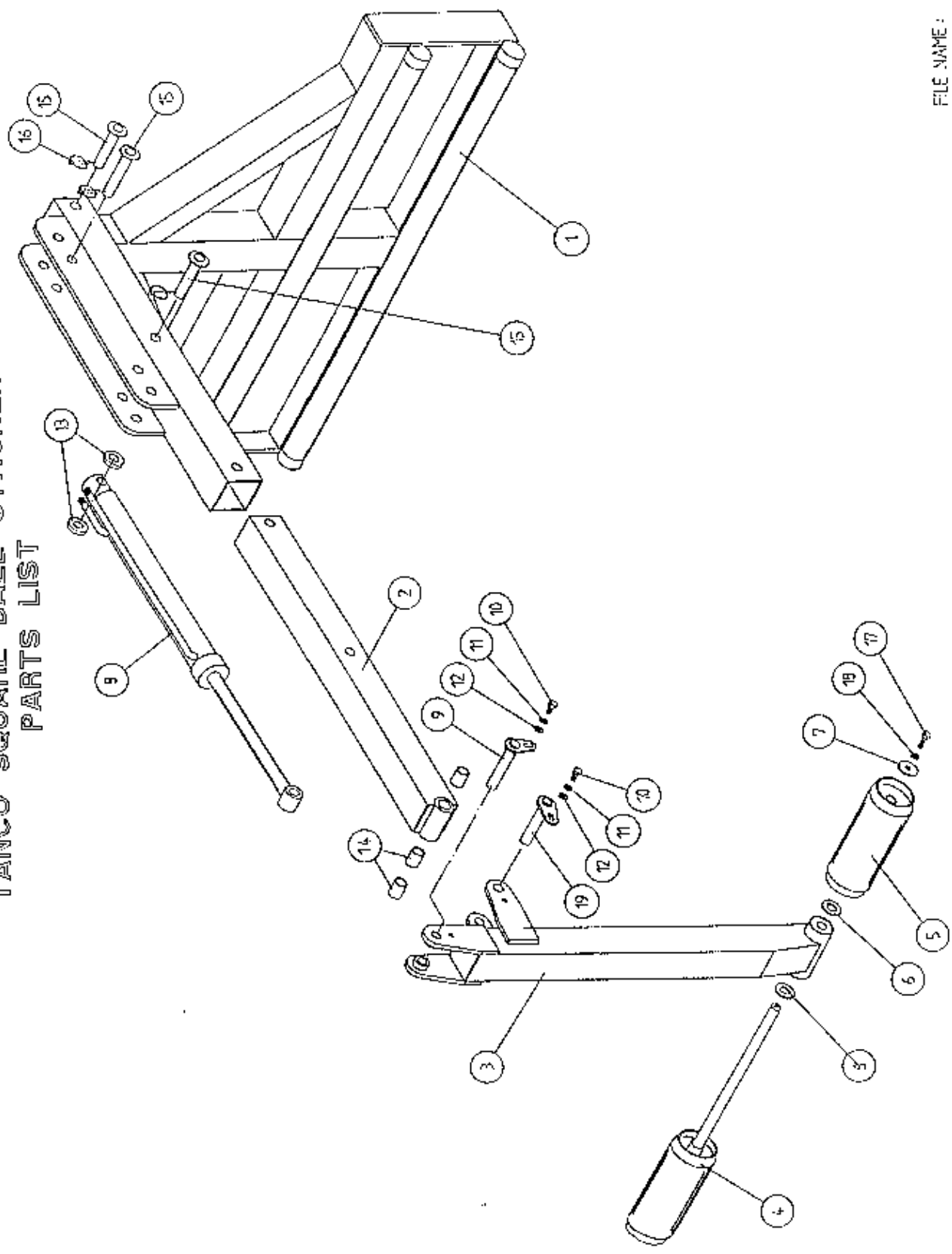
POSITION 1  
FOR BALES UP TO 0.8M LONG



POSITION 2  
FOR BALES UP TO 1.2M LONG

FIG 1

TANCO SQUARE BALE STACKER  
PARTS LIST



## TANCO SUARE BALE STACKER PARTS LIST

ITEM NO:	DESCRIPTION:	QTY:	PART NO:
1	MAIN FRAME ASSEMBLY	1	WD71-MF
2	TELESCOPIC ARM ASSEMBLY	1	WD71-TA
3	GRAB ARM ASSEMBLY	1	WD71-GA
4	ROLLER ASSEMBLY R.H.S.	1	WD71-RRA
5	ROLLER ASSEMBLY L.H.S.	1	WD71-LRA
6	40mm DIA FLAT WASHER	2	Z10-02-40
7	RETAINING COLLAR	1	WD71-28
8	HYDRAULIC RAM D/A	1	Z01-01-140
9	GRAB ARM PIVOT PIN C/W GREASE NIPPLE	1	Z03-01-796
10	M10 x 20mm SET (TUFLOCK)	2	Z26-060ST
11	10mm DIA SPRING WASHER	2	Z12-02-10
12	10mm DIA FLAT WASHER	2	Z10-02-10
13	SPACER	2	Z43-02
14	TENSION BUSH	3	Z03-20-041
15	RETAINING PIN	3	Z03-02-330
16	6mm DIA LINCH PIN	3	Z03-22-03
17	M12 x 30mm SET	1	Z26-0825
18	12mm DIA SPRING WASHER	1	Z12-02-12
19	RAM TOP PIVIT PIN	1	Z03-02-192